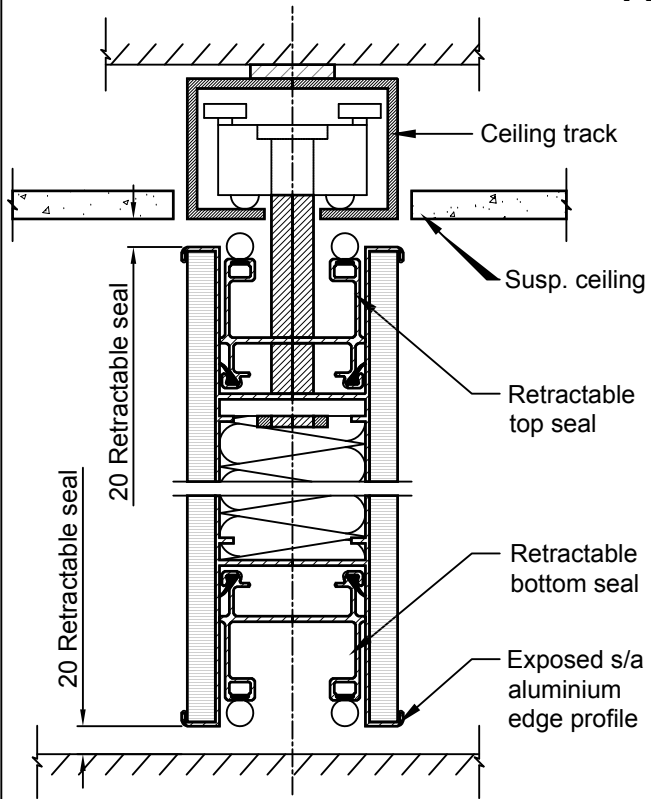
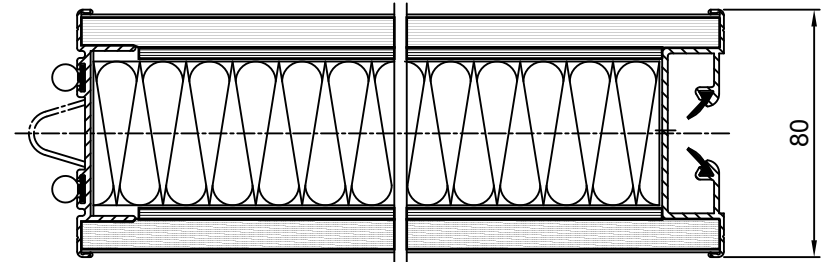


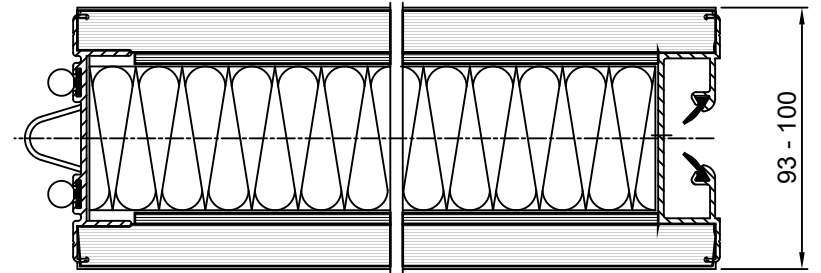
# PANEL DETAILS - TYPE 80/100



1. VERTICAL SECTION THROUGH STANDARD PANEL

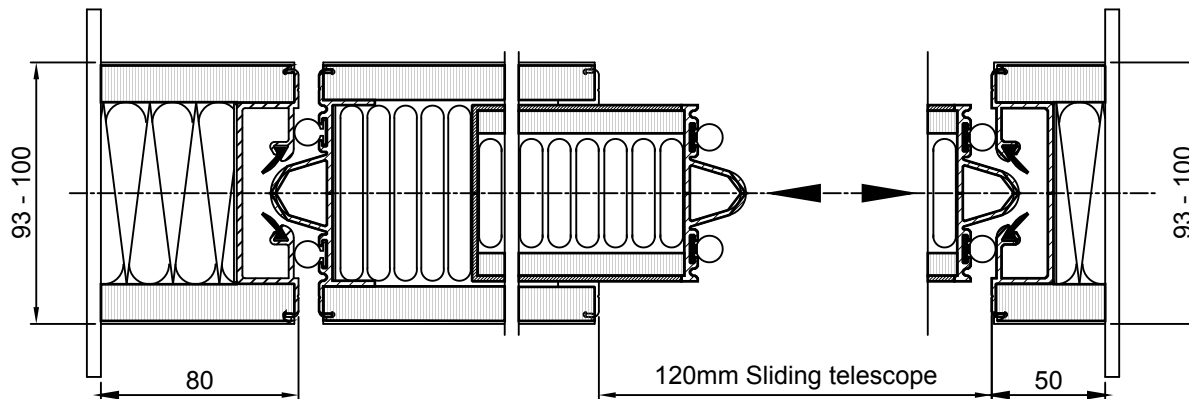


a) Exposed edge profile



b) Concealed edge profile

2. HORIZONTAL SECTION THROUGH STANDARD PANEL (NE)



3 HORIZONTAL SECTION THROUGH TELESCOPIC PANEL AND WALL JAMBS



**LONDON WALL**  
**London Wall Design Ltd**

Tel : +44 (0) 20 8391 8750

[www.londonwall.co.uk](http://www.londonwall.co.uk)

E-Mail : [Sales@londonwall.co.uk](mailto:Sales@londonwall.co.uk)

DRG. NO.: SL - 801