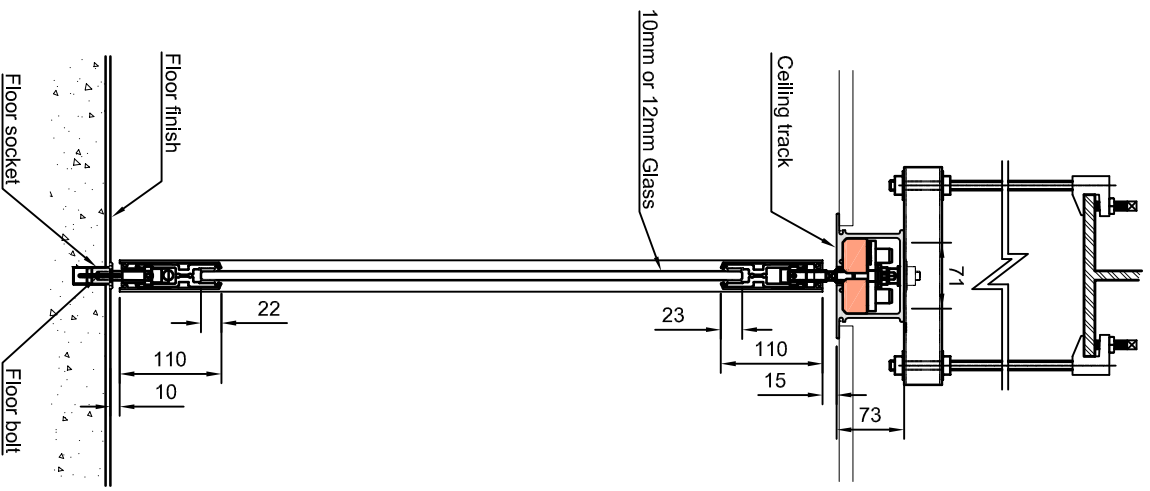
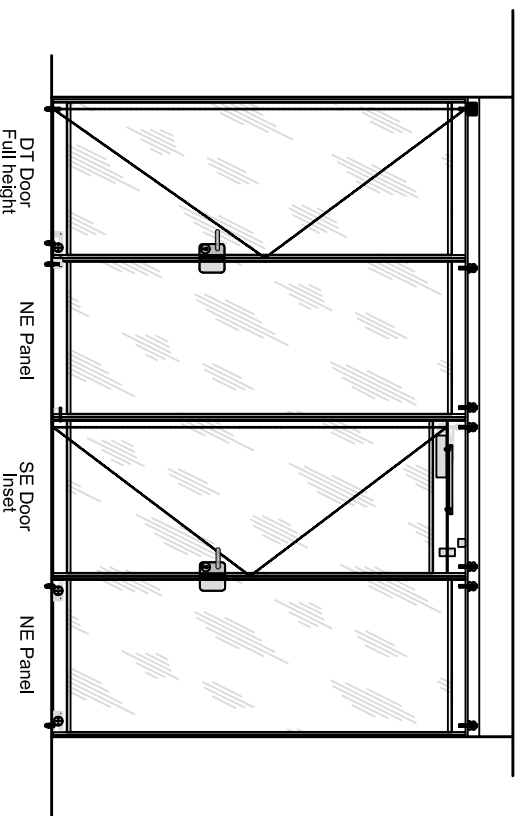


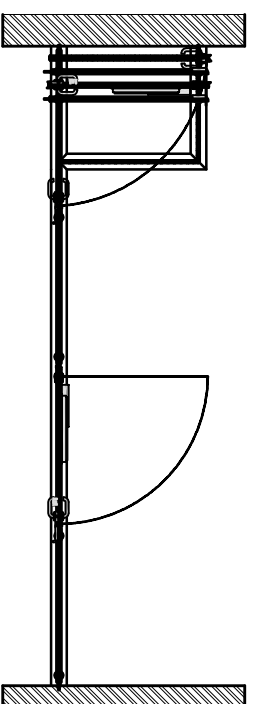
# PANEL DETAILS - TYPE GG PLUS TOP HUNG FRAMED GLASS SLIDING PARTITION



VERTICAL SECTION OF PANEL & TRACK FIXING



ELEVATION



PLAN



LONDON WALL

London Wall Design Ltd

Tel : +44 (0) 20 8391 8750

www.londonwall.co.uk

E-Mail : Sales@londonwall.co.uk

DRG. NO.: SL - GG02